

1 2 3 4 5 6 7 8

REVISIONS				
ZONE	REV.	DESCRIPTION	DATE	APPROVED
	A	DWG ISSUED	7/06/2018	Kimman Wong

A

A

B

B

C

C

D

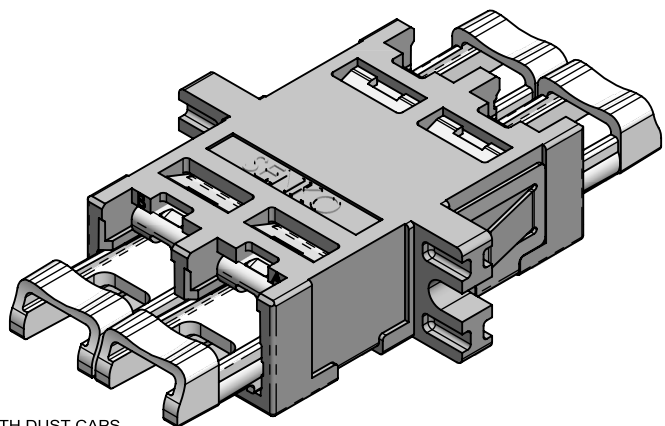
D

E

E

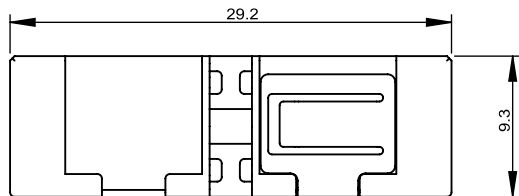
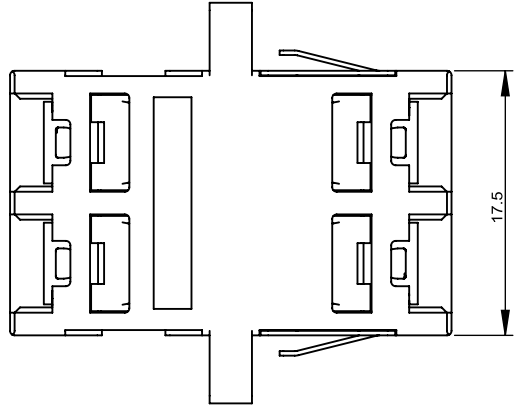
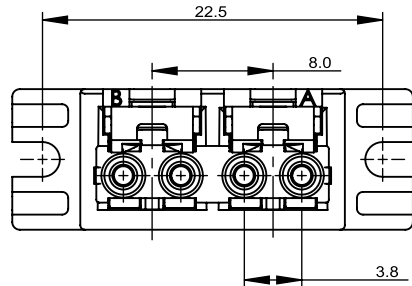
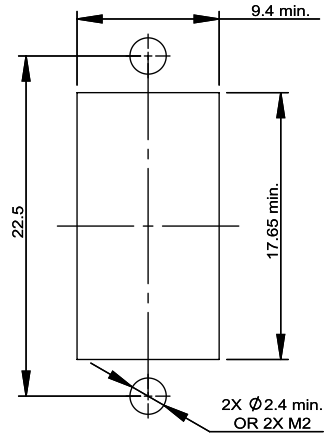
F

F



WITH DUST CAPS

MOUNTING HOLE DIMENSIONS
(REFERENCE ONLY)
PANEL THICKNESS 1.7mm MAX.



Category	
	<p>UNLESS OTHERWISE SPECIFIED: DEBURRS ALL SHARP EDGES. DIMENSIONS ARE AFTER FINISH.</p> <p>All Dimensions are in mm</p> <p>TOLERANCES: X, =± .X =± .XX =± .XXX =± ∠ =±</p>

Drawn By: ENG. DEPT.	Checked By: Kimman Wong	Material: N/A	Scale: Free
Part Number: 682-1X		Description: CS DUAL CHANNEL (4-FIBER) ADAPTER WITH FLANGE	
DWG# C-ENH18-358		Rev. A	Sheet 1

1 2 3 4 5 6 7 8